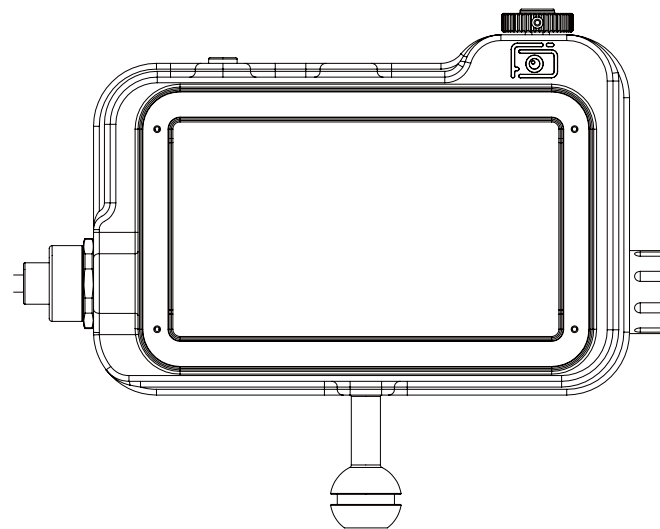




# MR6 监视器

2600nits 阳光可见



🌐 **Website:** [www.fotocore.com](http://www.fotocore.com)

✉ **E-mail:** [sales@fotocore.com](mailto:sales@fotocore.com)

📍 **Address:** 2502, Building A ,Wang Zuo Qu Jiang, Yanta District,  
Xi'an 710061, Shaanxi, China

**使用说明书**

## 产品简介:

欢迎使用本公司生产的6寸高亮摄影监视器。本监视器配备HDMI输入和输出、辅助电源输出、HDR监看及支持用户3D LUT上载等特征。高级特性包括波形图、矢量图、直方图、音频柱、辅助对焦、伪色彩、斑马纹、点对点、中心标记、安全标记、遮幅标记、单色显示、图像静止、放大、变形模式等，是一款理想的便携式轻量级的取景配套监视器。



**使用产品前，为达到最佳使用效果，请阅读本说明书**

## 注意事项

1. 移动机子时慎防跌落导致机器严重损坏或损毁。
2. 此产品中的液晶屏由玻璃制成，如屏破损可能会造成其他伤害。
3. 保持产品远离热源，避免机器长时间暴露在阳光下，这将导致液晶屏的损坏。
4. 不要用化学试剂或溶剂擦洗机子，请用软布擦除机子上的尘污，以保证本机的亮丽。
5. 机内无用户可调组件，非专业人员请勿自行打开本机或自行尝试修理本产品，以免造成不必要的损坏。

## 产品特点

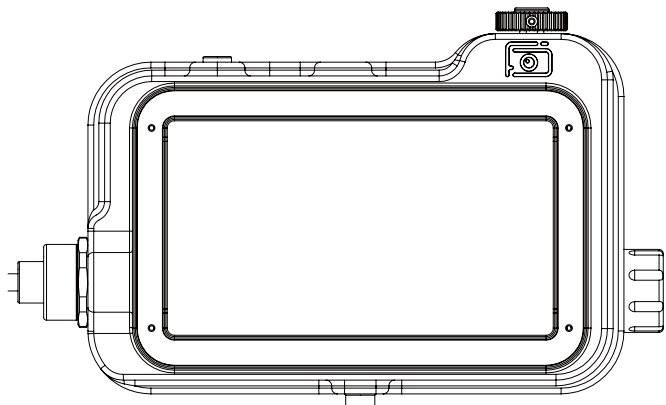
- 支持HDR监看
- 支持用户3DLUT上载
- 1920x1080全高清IPS屏, 2600nits 阳光可见
- 全波形显示、波形图、矢量图、RGB直方图
- 亮度直方图, 检验图片亮度的一种量化工具, 指导摄影曝光掌握
- 辅助对焦(可选择黄、红、绿、蓝、白对焦边缘)
- 斑马纹及伪色彩辅助功能, 方便指导拍摄时用光和后期制作
- 单色显示(灰、红、绿、蓝)
- 图像放大功能
- 变形模式
- 图像横向和纵向翻转、自动镜像
- 图像静止
- 点对点显示
- 中心标记、安全标记及遮幅标记
- 图像亮度、对比度、锐度、色相、饱和度及色温调整

## 目 录

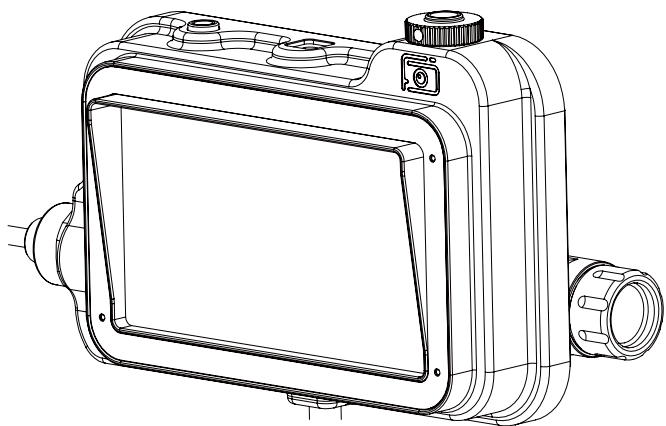
|                 |    |
|-----------------|----|
| 一、产品描述 .....    | 1  |
| 1. 产品外观说明 ..... | 2  |
| 2. 供电方式 .....   | 3  |
| 二、菜单操作说明 .....  | 4  |
| 三、菜单功能说明 .....  | 5  |
| 四、信号支持格式 .....  | 9  |
| 五、产品技术参数 .....  | 10 |
| 六、常见故障排除 .....  | 11 |

# 一、产品描述

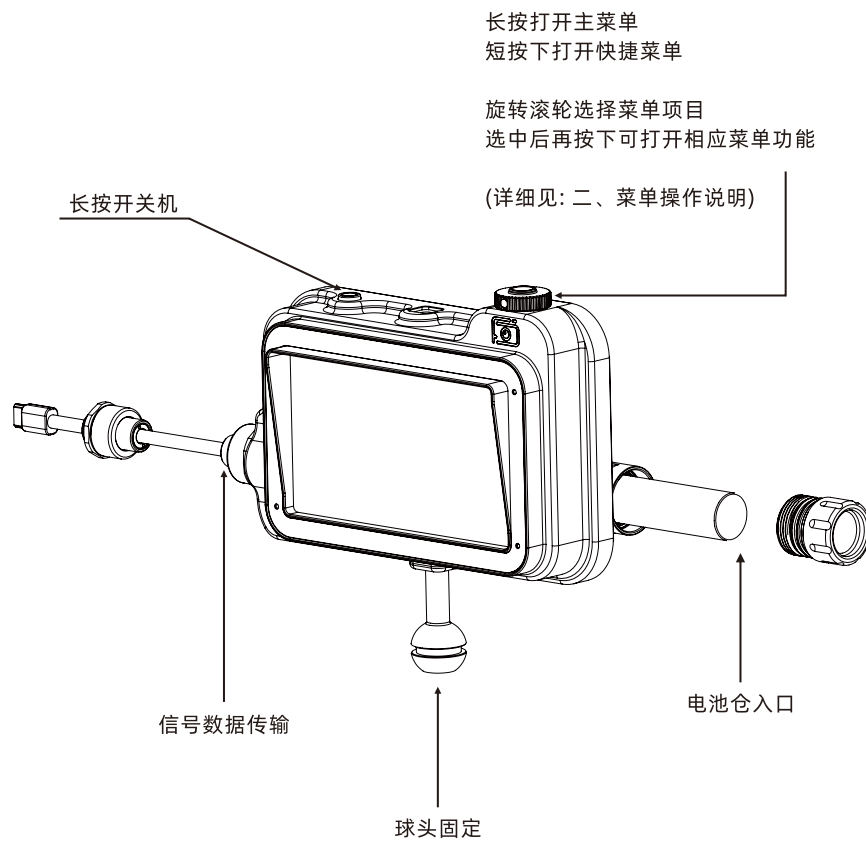
## • 正面



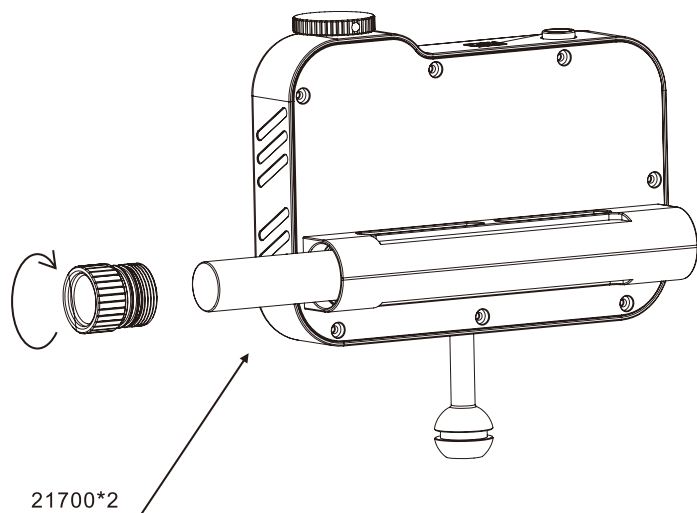
## • 侧面



# 1、产品外观说明



## 2、供电方式




**FOTOCORE**专用**21700**电池，Type-C 充电。电池容量18.5Wh(3.7V×5.0Ah)，工作时间约7小时，工作电压5.4-8.4V。

## 二、菜单操作说明

监视器正确接入电源后指示灯亮(红色)，长按顶部的开机键开机。

### MENU 滚轮菜单操作

1. 菜单不显示时，直接旋转滚轮为背光或者音量调节。可以在菜单  里设置滚轮选项为背光或者音量。
2. 长按 **MENU** 滚轮，打开主菜单(屏幕左侧)，旋转滚轮选择二级菜单，选定后按下滚轮进入二级菜单，再旋转滚轮选择二级菜单功能。选定后按下滚轮进入二级菜单功能，旋转滚轮调整参数。调整完毕后，按下滚轮确定并退出二级菜单功能，旋转滚轮进入下一项调整。完成后长按 **MENU** 滚轮退出主菜单。
3. 短按 **MENU** 滚轮，打开快捷菜单(屏幕下方)，旋转滚轮选择快捷菜单功能，选中后按下滚轮直接开启/关闭功能，如果按下有参数选择，再重复以上操作。完成后长按 **MENU** 滚轮退出快捷菜单。

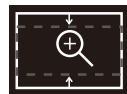
### 三、菜单功能说明



|         |  |
|---------|--|
| 峰值对焦    | 关、开<br>辅助对焦开启后可调整对焦水平(1~10)<br>对焦颜色(黄、红、绿、蓝、白) |
| 斑马纹     | 关、开<br>斑马纹开启后可调整斑马纹值(1%~100%)                  |
| 单色      | 关、灰、红、绿、蓝                                      |
| 伪彩      | 关、类型1、类型2                                      |
| 返回<br>← | 返回上一级菜单  |



|         |   |
|---------|---|
| 九宫格     | 关、开   |
| 安全标记    | 关、70%、80%、90%、16:9、16:10、4:3、5:4、1.85:1、2.35:1                    |
| 中心标记    | 关、开   |
| 遮幅标记    | 关、16:9、16:10、4:3、1.85:1、2.35:1<br>遮幅标记开启后可调整遮幅透明度(0%、25%、50%、75%) |
| 标记颜色    | 黄、红、绿、蓝、白、黑   |
| 返回<br>← | 返回上一级菜单   |



|         |   |
|---------|---|
| 扫描模式    | 欠扫描、过扫描   |
| 显示比例    | 自动、16:9、16:10、4:3、5:4、1.85:1、2.35:1、拉伸自定义<br>在“自定义”下，可自定义调整频宽度(100%~200%)频高度(100%~200%) |
| 变形模式    | 关、1.25x、1.33x、1.5x、2.0x、2.0x mag  |
| 自动镜像    | 关、开<br>开启后，画面会自动进行上下翻转调整  |
| 横向翻转    | 关、开   |
| 纵向翻转    | 关、开   |
| 放大倍数    | 关、100%~300%   |
| 图像静止    | 关、开   |
| 点对点     | 关、开   |
| 返回<br>← | 返回上一级菜单   |



|         |             |
|---------|-------------|
| 全波形     | 关、开         |
| 波形图     | 关、RGB、YUV、Y |
| 矢量图     | 关、开         |
| RGB 直方图 | 关、开         |
| 亮度直方图   | 关、开         |
| 音频柱     | 关、开         |
| 返回<br>← | 返回上一级菜单     |



|           |  |
|-----------|--|
| Lut 开关    | 关、开<br>LUT 开关开启后可使用 Lut 设置 (SLOG2、SLOG3、LOGC、VLOG)   |
| LUT Out   | 关、开<br>LUT 功能开启后可选择是否环出 LUT, 默认关闭状态  |
| 导入Lut(SD) | 将3D LUT 文件拷贝到SD 卡后, 插进 SD 卡槽, 可以点击导入 Lut(SD)选项中的 “<” 或 “>” 键, 或者旋转滚轮导入3D LUT 文件。<br>注: 插 SD 卡时芯片要朝上, 插完要按一下以确保 SD卡有完全插进去 |
| HDR       | 关、开<br>开启后, 可选择 Sony, Canon, Panasonic, Fujifilm, Bolex, RED,ARRI 公司的 Gamma 和色域  |
| 背光        | 0~100  |
| 亮度        | 0~100  |
| 对比度       | 0~100  |
| 饱和度       | 0~100  |
| 色相        | 0~100  |
| 锐度        | 0~100  |
| 返回<br>←   | 返回上一级菜单  |



|         |   |
|---------|---|
| 滚轮      | 背光、音量、放大倍数<br>选中滚轮选项后, 可以点击滚轮选项中的 “<” 或 “>” 键或者旋转滚轮选择其中一个将其设置为旋转滚轮调节的快捷键操作 (菜单不显示时)               |
| 语言      | 中文、English、日本語、Deutsch、Français、Italiano、Español、한국、Русский                                       |
| OSD 透明度 | 关、低、中、高   |
| OSD 时长  | 5s、10s、15s、20s、25s、30s、永久   |
| 音量      | 0~100   |
| 静音      | 关、开   |
| 复位      | 关、开<br>选中复位选项后, 可以点击复位选项中的 “<” 或 “>” 键,或者旋转滚轮恢复出厂设置   |
| 信号输入    | HDMI  |
| 固件更新    | 将更新文件拷贝到 SD 卡后, 插进 SD 卡槽, 可点击固件更新选项中的 “<” 或 “>” 键, 或者旋转滚轮进行更新注: 插 SD 卡时芯片要朝上, 插完要按一下以确保 SD卡有完全插进去 |
| 返回<br>← | 返回上一级菜单   |



|  |      |
|--|------|
|  | 退出菜单 |
|--|------|

#### 四、信号支持格式

|              |   |
|--------------|---|
| HDMI输入输出支持格式 | 480i/480p/576i/576p                     |
|              | 720p(60/59.94/50/30/29.97125/24/23.98)  |
|              | 1080i(60/59.94/50)                      |
|              | 1080p(60/59.94/50/30/29.97125/24/23.98) |
|              | 3840x2160p(30/29.97125/24/23.98)        |
|              | 4096x2160p(30/29.97125/24/23.98)        |

#### 五、产品技术参数

|      |  |
|------|--|
| 屏幕尺寸 | 6英寸  |
| 分辨率  | 1920 x 1080 pixels                           |
| 点距   | 0.069(L)x 0.069(W)(mm)                       |
| 显示比例 | 16:9   |
| 亮度   | 2600cd/m <sup>2</sup>                        |
| 对比度  | 1000:1                                       |
| 可视角度 | 80°/80°(L/R) 80°/80°(U/D)                    |
| 背光源  | LED  |
| 输入   | HDMI   |
| 输出   | HDMI   |
| 音频   | 不支持输出  |
| 电源输出 | DC OUT 8.4V(外径 5.5mm, 内径 2.1mm; 可给单反或微单相机供电) |
| 输入电压 | 7~24V  |
| 消耗功率 | ≤16W   |
| 外观尺寸 | 162Lx93.2Hx29D (mm)                          |
| 重量   | 300g   |
| 安装方式 | 球头   |
| 工作温度 | -20°C~50°C                                   |
| 存储温度 | -30°C~60°C                                   |



## 六、常见故障排除

### 1、黑白图象或单色图像:

- ① 确认彩色级别的饱和度和亮度、对比度的调整是否合适
- ② 监视器的“单色”是否处于黑白或其他单色图像状态。

### 2、接上电源开启后无图

- ① 查看信号连接线接触是否良好。
- ② 请确保使用标准的适配器连接到监视器;如果是由电池供电, 请检查电池是否处于充满电状态。

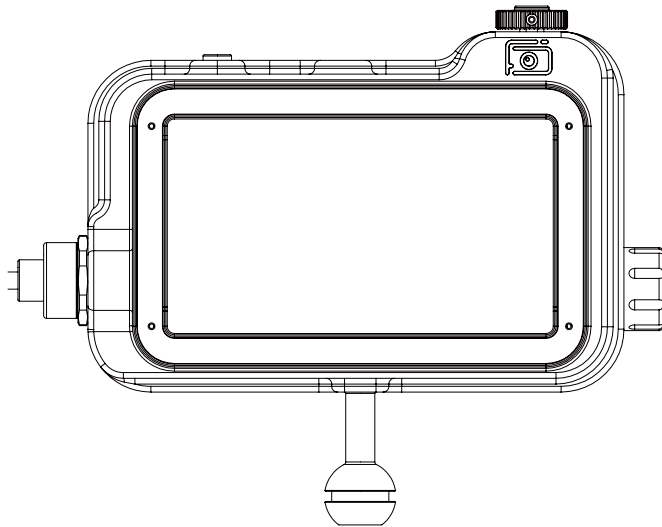
■ 备注: 若仍存在其它问题,请联系我们的相关技术人员。

★ 由于我们在不断努力提高产品功能和产品性能, 说明书如有变更, 恕不另行通知。



# MR6 Monitor

2600 nits of brightness



## User Manual

### Brief Introduction:

Welcome to choose and use the 6" high-brightness camera monitor produced by our company. This monitor is equipped with HDMI input and output, auxiliary power output, HDR monitoring and support for user 3D LUT on loading characteristics. Advanced monitor features include Waveform Graphs, Vector Graphs, Histograms, Audio Columns, Focus Assist, False Colors, Zebra Exposure, Dot by Dot, Center Marks, Safety Marks, Banner Marks, Monochrome Display, Image Still, Magnification, Anamorphic Mode, etc. MR6 Monitor is an ideal portable lightweight viewfinder matching monitor.



**In order to achieve the best effect, please read this user manual before starting to use it.**

## Precautions

1. Be careful not to drop it and cause serious damage or damage to the machine when moving the machine.
2. The LCD screen is made of glass. Hence it may cause other injuries if the screen is broken..
3. Keep it away from heat sources and avoid the machine being exposed to sunlight for a long time, which will cause damage to the LCD screen.
4. Do not scrub the machine with chemical reagents or solvents. Please use a soft cloth to wipe off the dust on the machine to ensure the brightness of the machine.
5. There are no user-adjustable components inside the machine. Non-professionals are not allowed to open the machine or try to repair it to avoid unnecessary damage.

## Monitor Software Features

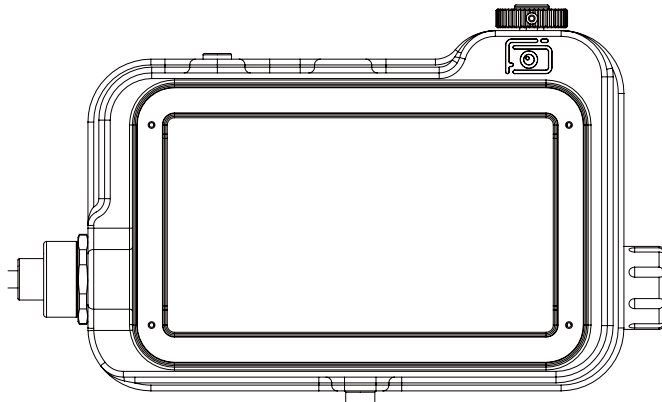
- Support HDR monitoring
- Support user 3DLUT upload
- 1920x1080 full HD IPS screen, 2600nits of brightness
- Full waveform display, waveform graph, vector diagram, RGB histogram
- Brightness histogram is a quantitative toll to testing the brightness of pictures which guides photography exposure control
- Focus assist (Yellow/Red/Green/Blue/white focus edges are optional)
- Zebra pattern and false color assist function is convenient for guiding lighting during shooting and post-production
- Monochrome display (gray/Red/Green/Blue)
- Image zoom function
- Warp mode
- Image flipping horizontally and vertically and auto mirroring
- Image still
- Dot by dot display
- Center marks, safety marks and banner marks
- Image brightness, contrast, sharpness, hue, saturation and color temperature adjustment

## Table of contents

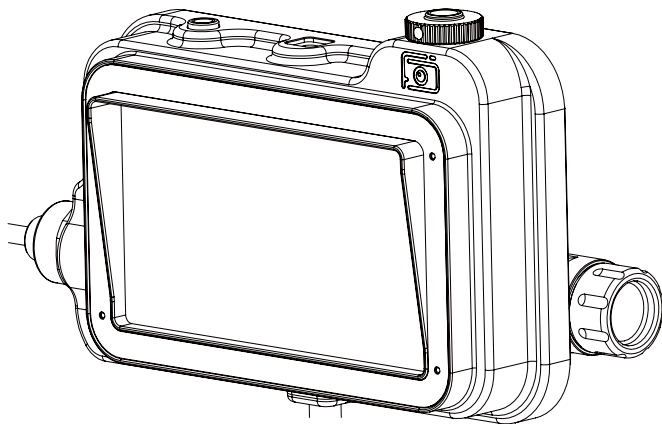
|   |    |
|---|----|
| I. Product description .....              | 17 |
| I-1. Product appearance description ..... | 18 |
| I-2. Power supply mode .....              | 19 |
| II. Menu Operation Instructions .....     | 20 |
| III. Menu function description.....       | 21 |
| IV. Signal support format .....           | 25 |
| V. Product Technical Parameters .....     | 26 |
| VI. Common Malfunction Resolution.....    | 27 |

# I. Product description

- Front

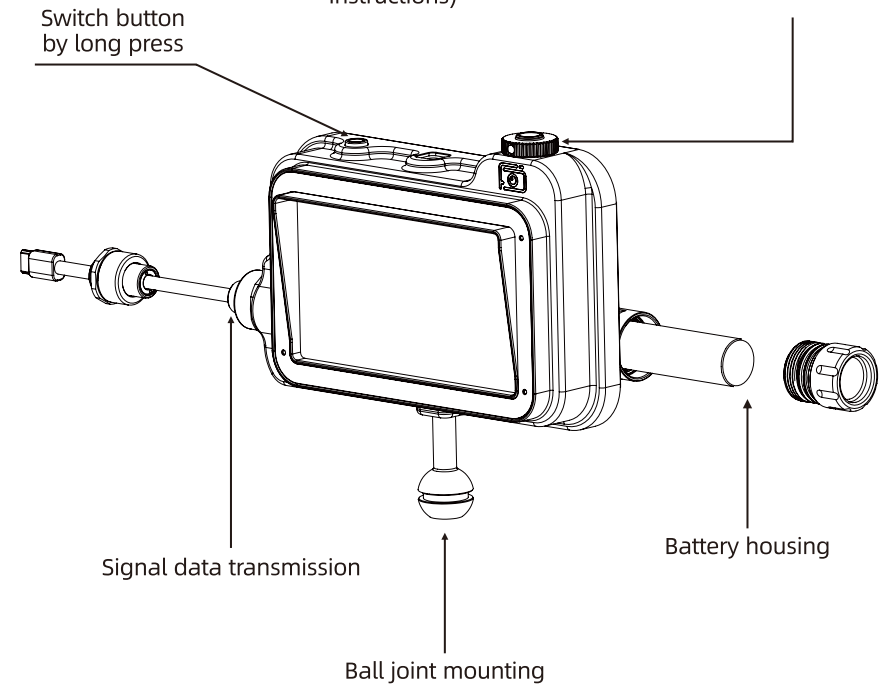


- Side

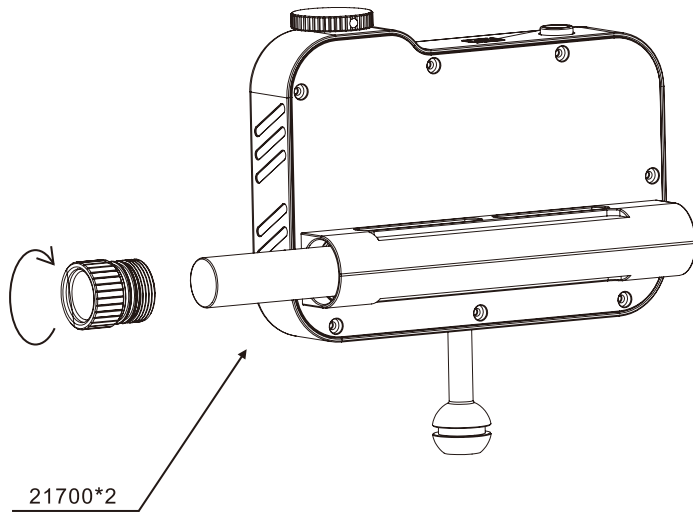


## I-1. Product appearance description

Long press to open the main menu. Short press to open the shortcut menu.  
Scrolling the Scroll Button to select a menu item, select it and press to open the corresponding menu function.  
(For details, please check II Menu Operation Instructions)



## I-2. Power supply mode



2\*21700 Battery with Type-C rechargeable.

Battery Capacity: 18.5Wh (3.7V×5.0Ah)


Working Time: About 7 hours

Working Voltage: 5.4-8.4V

## II. Menu Operation Instructions

The indicator light is on (red) after this monitor is correctly connected to the power supply. And then long press the Switch Button on the top to switch on the monitor.

### MENU scrolling menu operation:

1. When the menu is not displayed, directly rotate the Scroll Button to adjust the backlight or volume. And can be set Scroll Button option in Dish Set  as backlight or volume in the menu.
2. Press and hold the **MENU** Scroll Button to open the main menu (on the left side of the screen), turn it to select the secondary Menu, press it to enter the second-level menu after selection, and then rotate it to select the second-level menu single function. After selection, press Scroll Button to enter the secondary menu function, rotate it to adjust the parameter number. After the adjustment, press Scroll Button to confirm and exit the secondary menu function, turn Scroll Button to proceed to the next adjustment. Long press the **MENU** Scroll Button to exit the main menu when finished.
3. Short press the **MENU** Scroll Button to open the shortcut menu (bottom of the screen), and turn it to select shortcut menu function. After selection, press Scroll Button to directly turn on/off the function. If you press parameter selection, and then repeat the above operation. Press and hold the **MENU** Scroll Button to exit the shortcut menu in the end.

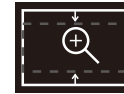
### III. Menu function description



|                    |  |
|--------------------|--|
| Focus Peaking      | Off, On<br>The focus level can be adjusted (1~10) after the focus assist is turned on.<br>Focus color ( Yellow, Red, Green, Blue, White) |
| Zebra Print        | Off, On<br>The zebra pattern value can be adjusted (1%~100%) after the zebra pattern is turned on.                                       |
| Monochrome Display | Off, Gray, Red, Green, Blue  |
| False Color        | Off, Type 1, Type 2  |
| Back<br>←          | Return to previous menu  |



|               |  |
|---------------|--|
| Nine Grids    | Off, On  |
| Safety Marks  | Off, On<br>Safety Marks<br>Off, 70%, 80%, 90%, 16:9, 16:10, 4:3, 5:4, 1.85:1, 2.35:1   |
| Center Marks  | Off, On  |
| Banner Marks  | Off, 16:9, 16:10, 4:3, 1.85:1, 2.35:1<br>After the banner mark is turned on, you can adjust the transparency of the banner (0%, 25%, 50%, 75%) |
| Marking Color | Yellow, Red, Green, Blue, White, Black   |
| Back<br>←     | Return to previous menu  |




|                     |  |
|---------------------|--|
| Scan Mode           | Under-scan, Over-scan  |
| Zoom                | Auto, 16:9, 16:10, 4:3, 5:4, 1.85:1, 2.35:1, stretch customization<br>Under "Customization", you can customize and adjust the frequency width (100%~200%) frequency height (100%~200%) |
| Anamorphic Mode     | Off, 1.25x, 1.33x, 1.5x, 2.0x, 2.0x mag  |
| Automatic Mirroring | Off, On<br>The screen will automatically flip up and down after it is turned on  |
| Horizontal Flip     | Off, On  |
| Vertical Flip       | Off, On  |
| Magnification       | Off, 100%~300%   |
| Image Still         | Off, On  |
| Dot by Dot          | Off, On  |
| Back<br>←           | Return to previous menu  |




|                      |                         |
|----------------------|-------------------------|
| Full Wave            | Off, On                 |
| Waveform             | Off, RGB, YUV, Y        |
| Vector illustration  | Off, On                 |
| RGB Histogram        | Off, On                 |
| Brightness Histogram | Off, On                 |
| Audio Column         | Off, On                 |
| Back<br>←            | Return to previous menu |



|   |   |
|---|---|
| Lut Switch  | Off, On<br>Lut settings<br>(SLOG2, SLOG3, LOGC, VLOG)   |
| LUT Out   | Off, On<br>After the LUT function is turned on, you can choose whether to loop out the LUT, off by default.   |
| Import Lut (SD)   | After copying the 3D LUT files to the SD card, insert the SD card slot, you can click Import Lut(SD) in the option "<" or ">" key, or rotate the scroll button to import 3DLUT files. |
| HDR   | Off, On<br>You can choose Sony, Canon, Panasonic, Gamma from Fujifilm, Bolex, RED, ARRI and color gamut after turning on.   |
| Backlight   | 0~100   |
| Brightness  | 0~100   |
| Contrast  | 0~100   |
| Saturation  | 0~100   |
| Hue   | 0~100   |
| Sharpness   | 0~100   |
| Back<br> | Return to previous menu   |



|   |  |
|---|--|
| Scroll Button   | Backlight, volume, magnification<br>After selecting the Scroll Button option, you can click the "<" or ">" key or rotate the Scroll Button to select one of them and set it as a shortcut key operation to set it for rotating the Scroll Button. ( When the menu is not displayed ) |
| Language  | Chinese, English, Japanese, Deutsch, Français, Italiano, Español, 한국, Русский  |
| OSD Transparency  | Off, Low, Medium   |
| OSD Duration  | 5s, 10s, 15s, 20s, 25s, 30s, permanent   |
| Volume  | 0~100  |
| Mute  | Off, On  |
| Reset   | Off, On<br>After selecting "Reset" option, you can click the "<" or ">" button in the reset option, or rotate the Scroll Button to restore the factory settings.   |
| Signal Input  | HDMI   |
| Firmware Update   | After copying the update file to the SD card, insert it into the SD card slot and can click the "<" or ">" button in the firmware update option or rotate the Scroll Button to update.   |
| Back<br> | Return to previous menu  |



|  |           |
|--|-----------|
|  | Exit Menu |
|--|-----------|

#### IV. Signal support format

|   |   |
|---|---|
| HDMI Input And Output<br>Supported Format | 480i/480p/576i/576p                     |
|   | 720p(60/59.94/50/30/29.97125/24/23.98)  |
|   | 1080i(60/59.94/50)                      |
|   | 1080p(60/59.94/50/30/29.97125/24/23.98) |
|   | 3840x2160p(30/29.97125/24/23.98)        |
|   | 4096x2160p(30/29.97125/24/23.98)        |

#### V. Product Technical Parameters

|                       |   |
|-----------------------|---|
| Screen Size           | 6"  |
| Resolution            | 1920 x 1080 pixels  |
| Dot Distance          | 0.069(L)x 0.069(W)(mm)  |
| Zoom                  | 16:9  |
| Brightness            | 2600cd/m <sup>2</sup>   |
| Contrast              | 1000 : 1  |
| Viewing Angle         | 80°/80°(L/R) 80°/80°(U/D)   |
| Back Light            | LED   |
| Input                 | HDMI  |
| Output                | HDMI  |
| Audio                 | Doesn't support output  |
| Power Output          | DC OUT 8.4V (Outer diameter 5.5mm, inner diameter 2.1mm; Can supply power to SLR or mirrorless cameras) |
| Input Voltage         | 7~24V   |
| Power Consumption     | ≤16W  |
| Dimension             | 162Lx93.2Hx29D (mm)   |
| Weight                | 300g  |
| Installation Method   | Ball joint  |
| Operating Temperature | -20°C~50°C  |
| Storage Temperature   | -30°C~60°C  |



## VI. Common Malfunction Resolution

1. Black&white image or monochrome image:

- ① Check whether the saturation, brightness and contrast of the color level are properly adjusted.
- ② Whether the "monochrome" of the monitor is in black and white or other monochrome image status.

2. There is no picture after the power is turned on

- ① Check whether the signal connection line is in good contact.
- ② Please make sure to use a standard adapter to connect to the monitor; If powered by battery, please check that the battery is fully charged.

■ Remarks: If you still have other problems, please contact our relevant technical personnel.

★ Due to our continuous efforts to improve product functions and product performance, the instructions are subject to change without notice.